



## Bag2R

### Baggage scale indicator designed for airport

1

EASY TO USE

2

ETHERNET

3

EASY TO  
INSTALL

4

ONE FOR  
TWO

5

MORE



The Bag2R indicator is designed specifically to weigh passenger's baggage at check-in counter. This baggage scale is user-friendly with simple operations thanks to its full graphics LCD display :

- operator interface : the bar graph shows the weight progression and gives heavy bag detection alert ;
- passenger interface : simultaneously remote display with adjustable brightness.

### PASSENGER SIDE

### OPERATOR SIDE

Available with both LCD and LED display :

- « WEIGHT » display with 5 digits for large font characters
- « TOTAL » display with 6 digits
- « BAG » display with 3 digits

Prompt warning message for heavy bag and overload warning

High precision display with 8 key buttons :

- Add bag, remove bag, belt start
- Clear, zero, kg/lb switch
- Power ON/OFF

Tough ABS moulded & membrane switch for easy and efficient cleaning.

#### LCD display

#### LED display

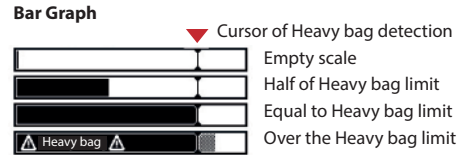


**ARPEGE MASTER K**

# 1

## EASY TO USE

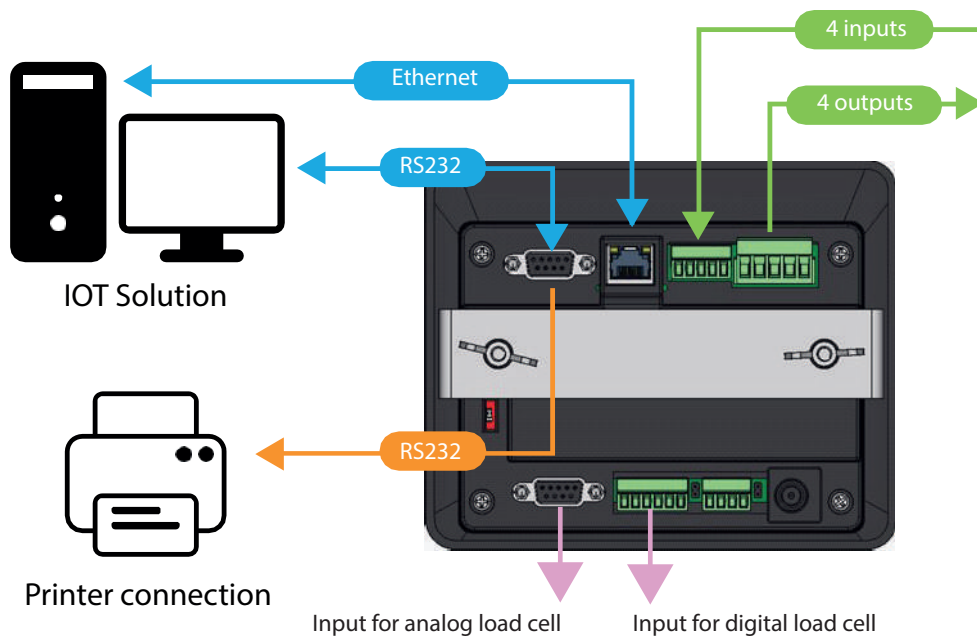
Easy to use by the flight attendant and intuitive UI.  
 Warning message with programmable setpoint.  
 Adjustable display contrast & brightness.  
 Diagnosis features with digital load cell.  
 English, French and simplified Chinese.



# 2

## ETHERNET and interfaces

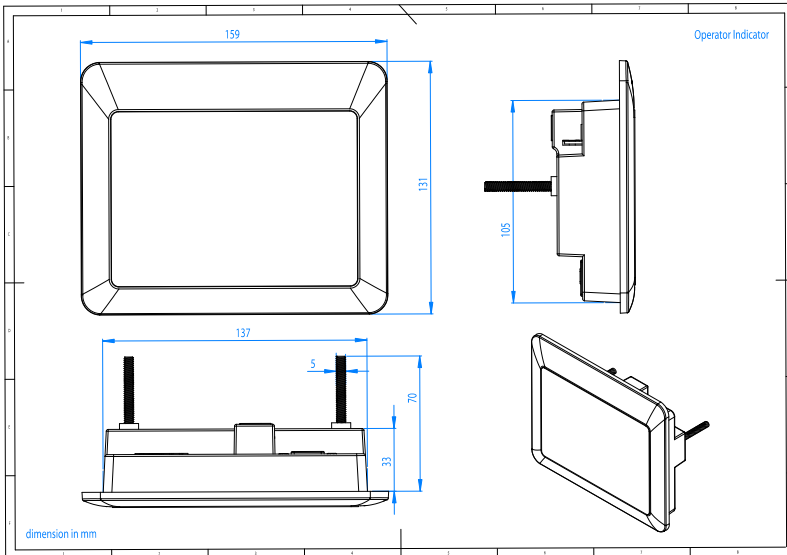
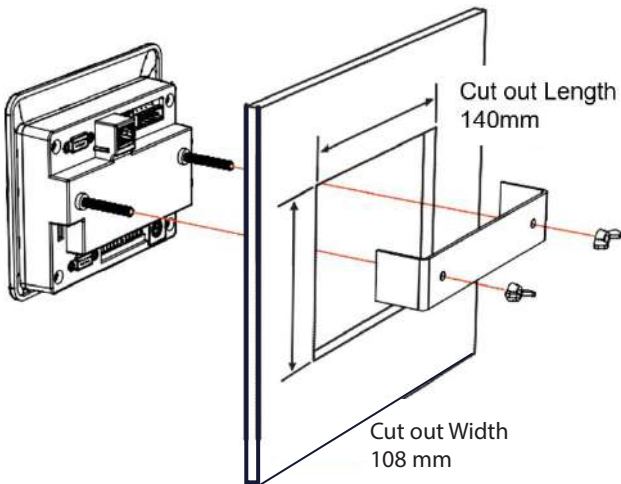
Ethernet port for better communication is also available. The back panel also has a RS232 port and 4 outputs.



3

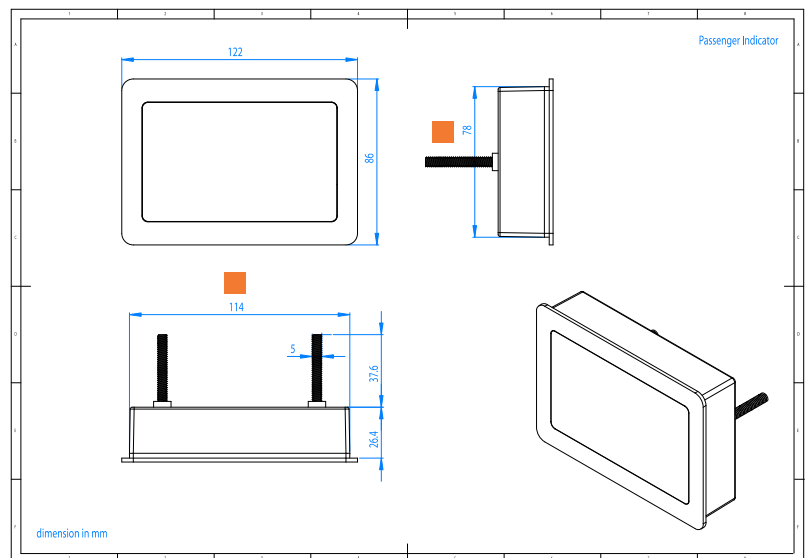
### EASY TO INSTALL

Only two screws are needed.  
It's easy and quick to install.

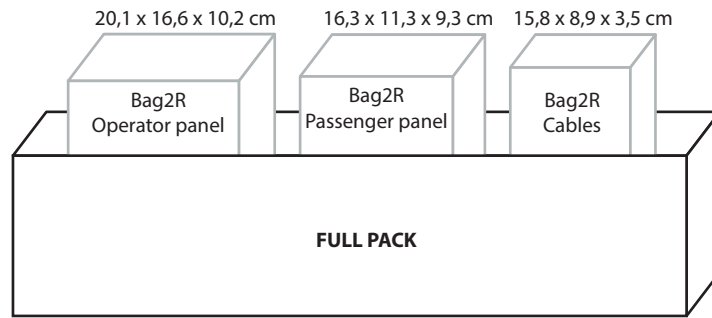


### SIZE OPERATOR PANEL

### SIZE PASSENGER PANEL



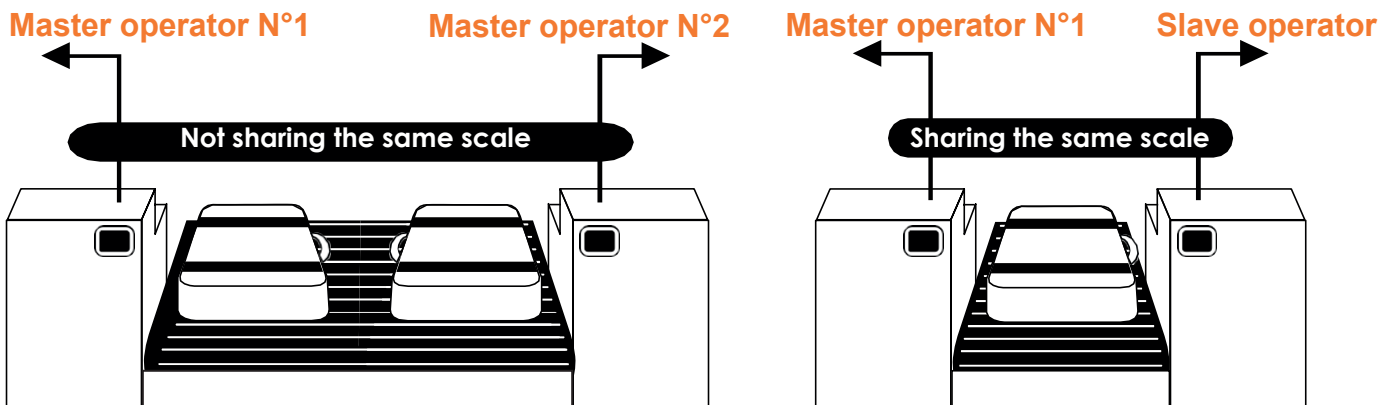
## SHIPPING



4

### ONE FOR TWO

Two indicators sharing the same scale (as an option)

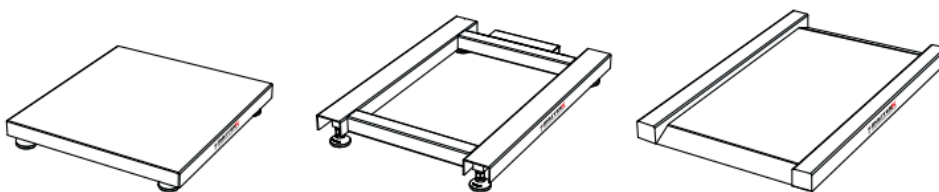


With two indicators and one scale, the option has many advantages :

- 1- Space and cost saving: no need to have two conveyors ;
- 2- Time saving : no need to wait until the passenger leaves the check-in desk for the weighing of new passenger's baggage.

### Scale for conveyor

Custom-made as per requested



ARPEGE MASTERK

## Load cells



SK30X

### Analog load cell

- Analog shear beam load cell
- Stainless steel construction
  - IP68 protection class



SDX-300

### Digital load cell

- Digital shear beam load cell :
- Stainless steel construction
  - IP68 protection class
  - Good stability
  - Low maintenance cost
  - Fault diagnosis

5

## MORE

Legal-for-trade characteristics according to OIML R76 and EN 45 501

### GENERAL

|   |                                   |
|---|-----------------------------------|
| Power supply                                      | 12 Vdc by universal adaptor       |
| Power consumption                                 | 1 A                               |
| Power supply for the analog load cell             | 5 V square signal                 |
| Minimum and maximum voltage of the weighing range | 0.010 mV and 20 mV                |
| Minimum load cell resistance                      | 58 Ω                              |
| Operating temperature range                       | - 10 ° / + 40 ° C                 |
| Storage temperature range                         | - 20 ° / + 60 ° C                 |
| Indicator weight (kg)                             | +/- 0.4 kg                        |
| Gross weight (kg)                                 | 0.6 kg max for the operator panel |
| Ethernet  | optional                          |

### METROLOGICAL CHARACTERISTICS

|                                |  |
|--------------------------------|--|
| Maximum precision of weighing  | 6 000 scale divisions in accordance with standard EN 45 501 : 2015 / OIML R76-1:2006 / class III |
| Minimum division input voltage | 0.5µV for 5 V power supply   |
| Measurement rate               | 50-990 measurements per second   |



Manufactured under  
ISO system facilities



## CONTACT US

marketing@masterk.com

Bâtiment n°6 - 15, rue du Dauphiné

CS 40216 - 69 808 SAINT-PRIEST Cedex - FRANCE

Phone : 33 (0)4 72 22 92 22 - Fax : 33 (0)4 72 22 93 45

971 506 480 RCS LYON - APE CODE 2829A - FRENCH VAT 28 971 506 480

Our product data sheets can be downloaded from our website [www.masterk.com](http://www.masterk.com)

# ARPEGE MASTERK